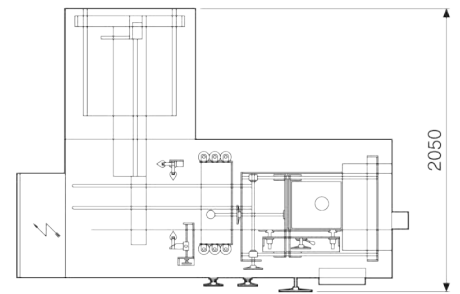
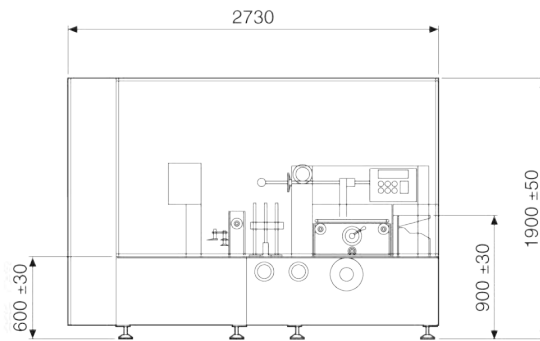
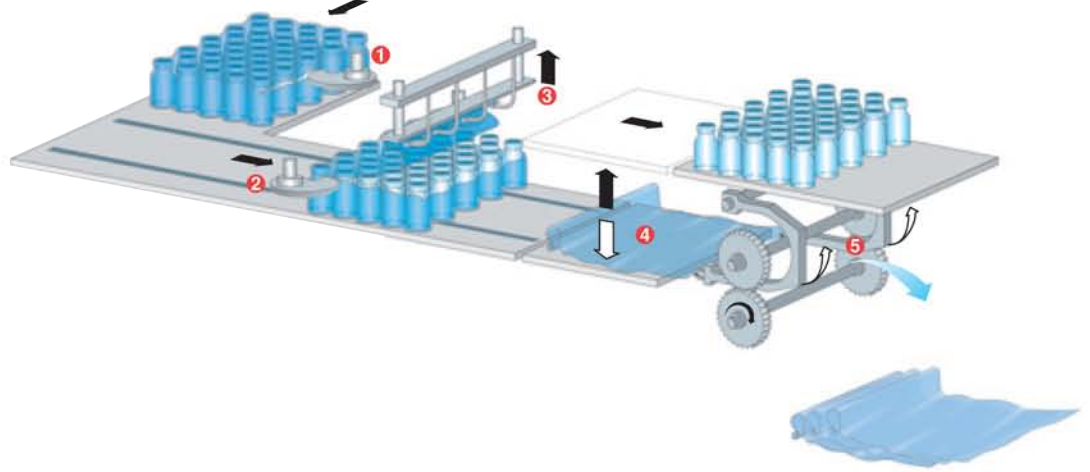
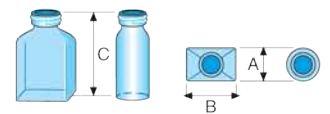


MD

Depacking machine for empty bottles wrapped in shrink plastic material



Mechanical speed per minute	STROKES	max. 5
Power Absorption	KW	4,5
Air Consumption	NI/1'	200
Air Pressure	bar	5÷6
Gross Weight	Kg.	1800
Net Weight	Kg.	1300



		A	B	C	d	e	f
Size range	min.	20	20	40	260	40	350
	max.	100	100	180	600	200	450



The above technical data is not binding and may be subject to change without prior notice.



CAMPAK France

**81, rue Pasteur
77462 St-Thibault des Vignes
Tel:01 60 31 54 68
Fax: 01 60 31 54 69
e-mail: campak@campak.fr**

<http://www.campak.fr>



**Machines
Catalogue**