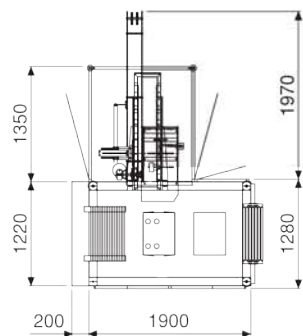
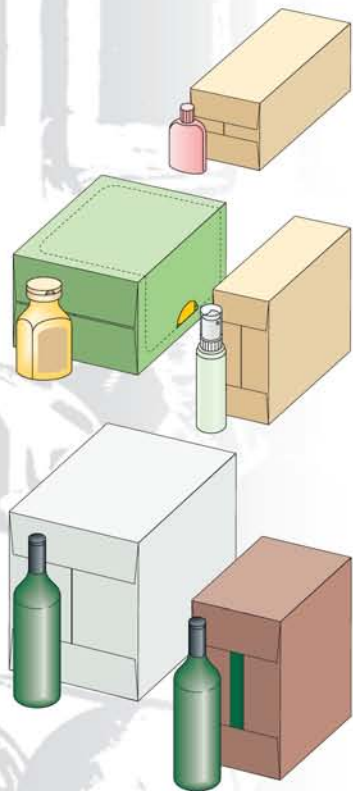
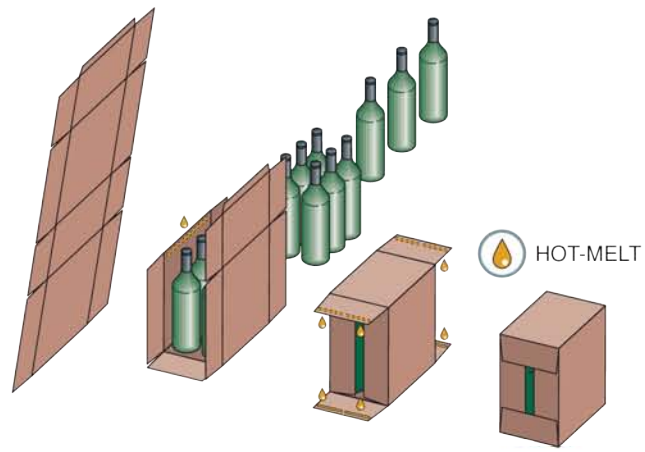
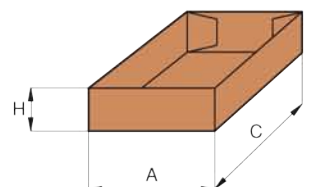
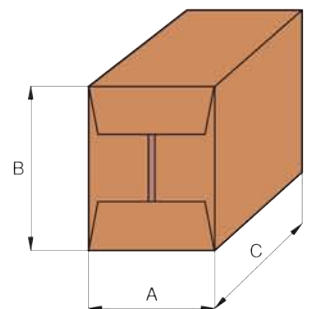


W 30

Intermittent motion wrap-around case-packer



Mechanical speed per minute	STROKES	10
Power Absorption	KW	8
Air Consumption	NI/1'	22
Air Pressure	bar	6
Gross Weight	Kg.	1350
Net Weight	Kg.	1200



		A	B	C	H
Size range	min.	100	70	200	40
	max.	360	360	480	360

The above technical data is not binding and may be subject to change without prior notice.



CAMPAK France

**81, rue Pasteur
77462 St-Thibault des Vignes
Tel:01 60 31 54 68
Fax: 01 60 31 54 69
e-mail: campak@campak.fr**

<http://www.campak.fr>



**Machines
Catalogue**