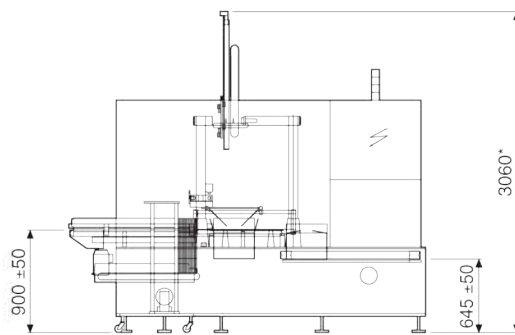
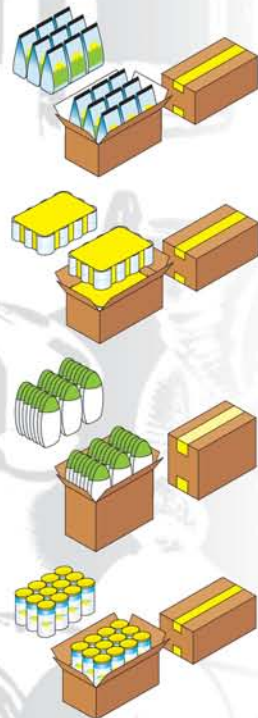
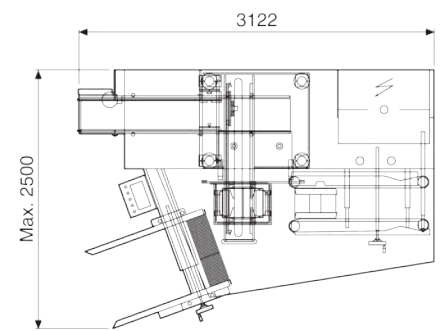


SMV

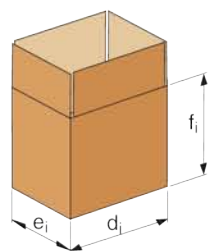
Vertical case-packer for shipping cases with top loading



* NOTE: above dimension is subject on products collation



		SMV/1	SMV/2
Pick-and-place max /1'		23	40
Cases max. /1'		12	15
Power Absorption	KW	8 (Hot-melt + 3,2)	8 (Hot-melt + 3,2)
Air Consumption	NI/1'	500	500
Air pressure	bar	5+6	5+6
Gross Weight	Kg.	2400	2600
Net Weight	Kg.	1800	2000



		d _i	e _i	f _i	d _i	e _i	f _i
Size range	min.	200	120	105	200	120	105
	max.	595	395	395	595	395	395

The above technical data is not binding and may be subject to change without prior notice.





CAMPAK France

**81, rue Pasteur
77462 St-Thibault des Vignes
Tel:01 60 31 54 68
Fax: 01 60 31 54 69
e-mail: campak@campak.fr**

<http://www.campak.fr>



**Machines
Catalogue**