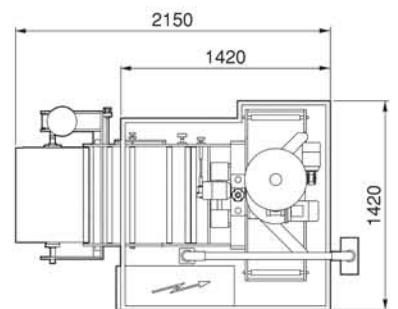
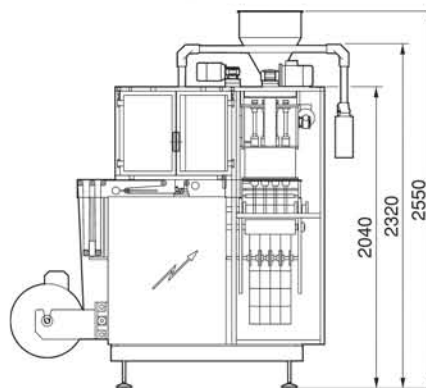
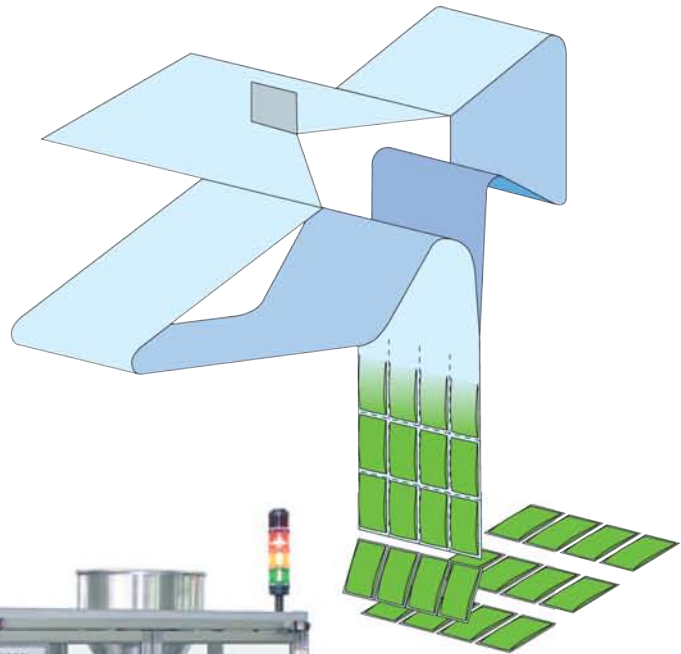
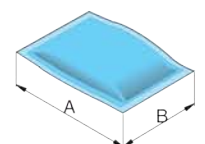
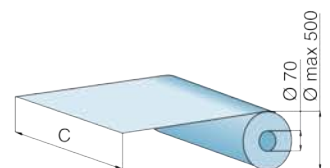


# BAIA

Multiple line sachets filling machine for powder, granulated and liquid products



Mechanical speed per minute	<b>STROKES</b>	300
Power Absorption	<b>KW</b>	8
Air Consumption	<b>NI/1'</b>	200
Air Pressure	<b>bar</b>	6
Gross Weight	<b>Kg.</b>	1200



Size range	<b>min.</b>	<b>A</b> 50	<b>B</b> 50	<b>C</b> 100
	<b>max.</b>	200	250	800

The above technical data is not binding and may be subject to change without prior notice.





## **CAMPAK France**

**81, rue Pasteur  
77462 St-Thibault des Vignes  
Tel:01 60 31 54 68  
Fax: 01 60 31 54 69  
e-mail: [campak@campak.fr](mailto:campak@campak.fr)**

**<http://www.campak.fr>**



**Machines  
Catalogue**