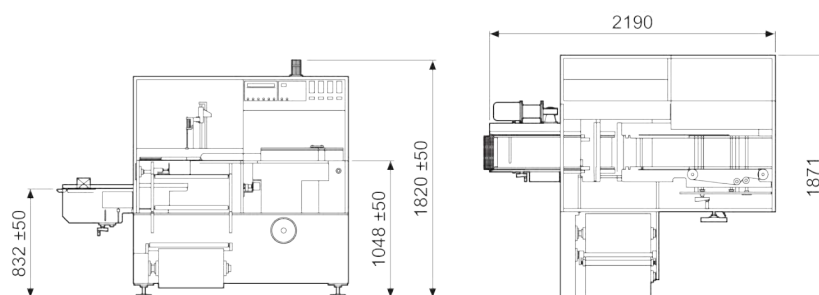
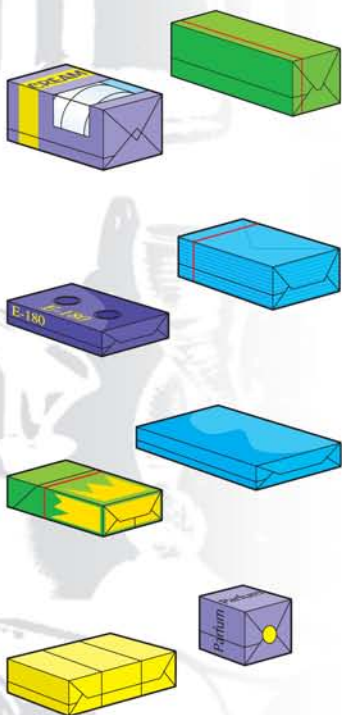
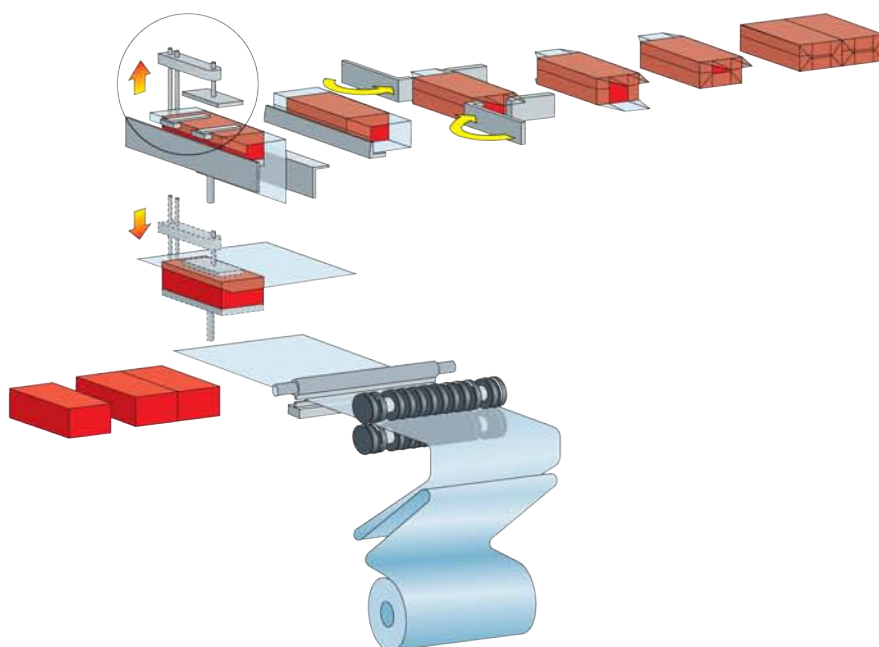


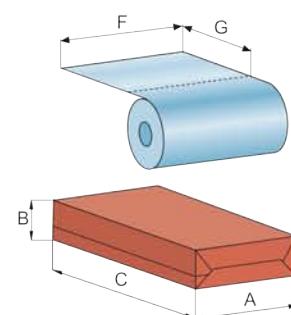
# RT/RP

Automatic overwrapper with heat-sealable material with belt(RT) or plate(RP) sealing



Mechanical speed per minute	<b>STROKES / 1'</b>	20÷100
Power Absorption (max.)	<b>KW</b>	3,5
Air Consumption	<b>NI/1'</b>	16,9
Gross Weight	<b>Kg.</b>	~1550
Net Weight	<b>Kg.</b>	~1200

		<b>A</b>	<b>B</b>	<b>C</b>	<b>F</b>	<b>G</b>
Size range	min.	40	15	60	120	85
	max.	160	85	260	500	302



The above technical data is not binding and may be subject to change without prior notice.



## **CAMPAK France**

**81, rue Pasteur  
77462 St-Thibault des Vignes  
Tel:01 60 31 54 68  
Fax: 01 60 31 54 69  
e-mail: [campak@campak.fr](mailto:campak@campak.fr)**

**<http://www.campak.fr>**



**Machines  
Catalogue**