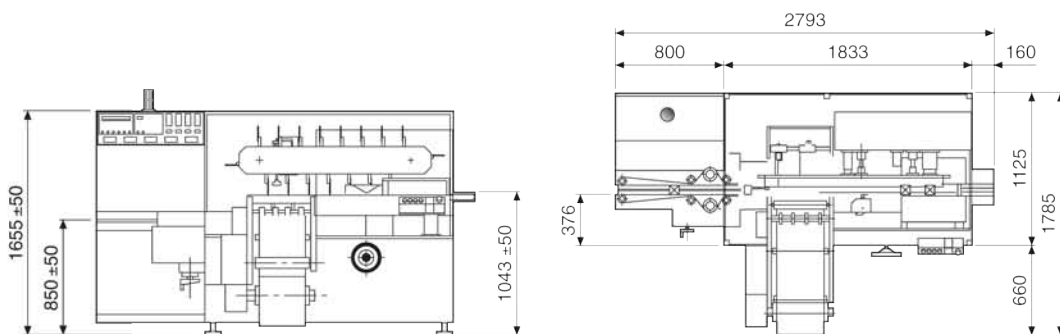
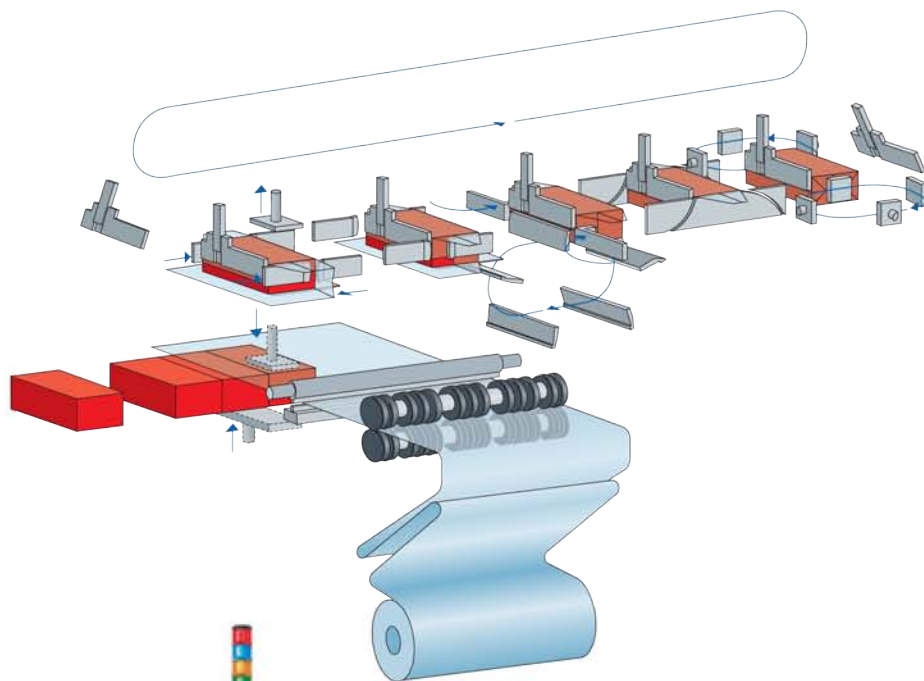
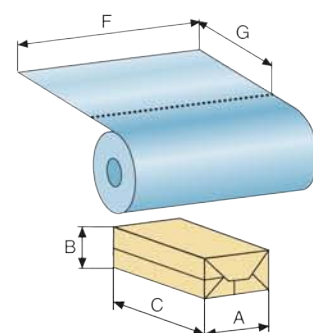


# RVP

High speed continuous motion overwrapper with plate sealing



Mechanical speed per minute	STROKES	50 - 150				
Power Absorption	KW	6				
Air Consumption	NI/1'	50				
Gross Weight	Kg.	2320				
Net Weight	Kg.	1950				



		A	B	C	F	G
Size range	min.	35	15	60	90	80
	max.	120	90	190	335	280

The above technical data is not binding and may be subject to change without prior notice.





## **CAMPAK France**

**81, rue Pasteur  
77462 St-Thibault des Vignes  
Tel:01 60 31 54 68  
Fax: 01 60 31 54 69  
e-mail: [campak@campak.fr](mailto:campak@campak.fr)**

**<http://www.campak.fr>**



**Machines  
Catalogue**