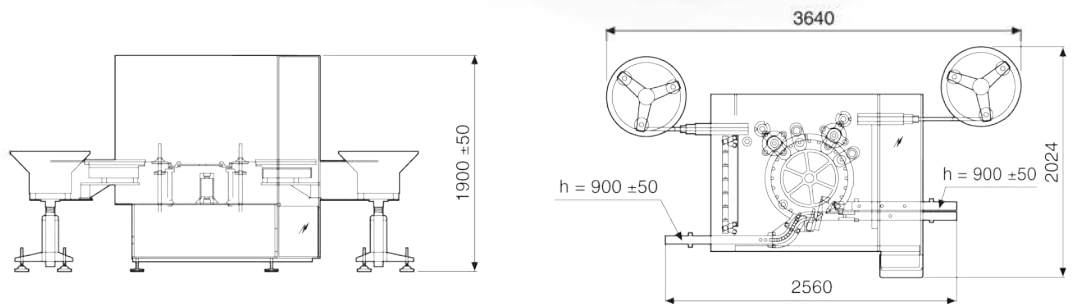
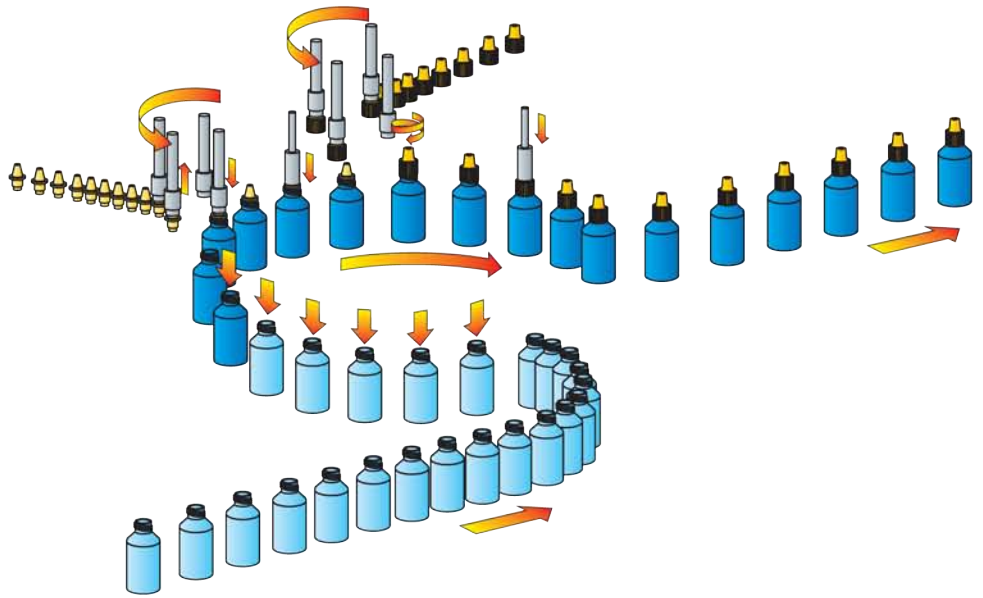


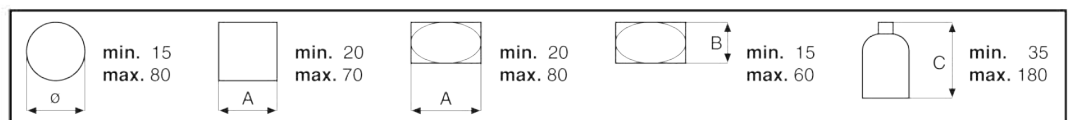
# LA

Intermittent  
motion  
filling/capping  
monobloc



Speed per minute	<b>STROKES</b>	20÷80
Power Absorption	<b>KW</b>	4,5
Air Consumption	<b>NI/1'</b>	200
Air pressure	<b>bar</b>	5÷6
Gross Weight	<b>Kg.</b>	1950
Net Weight	<b>Kg.</b>	1400

Size range



The above technical data is not binding and may be subject to change without prior notice.





## **CAMPAK France**

**81, rue Pasteur  
77462 St-Thibault des Vignes  
Tel:01 60 31 54 68  
Fax: 01 60 31 54 69  
e-mail: [campak@campak.fr](mailto:campak@campak.fr)**

**<http://www.campak.fr>**



**Machines  
Catalogue**